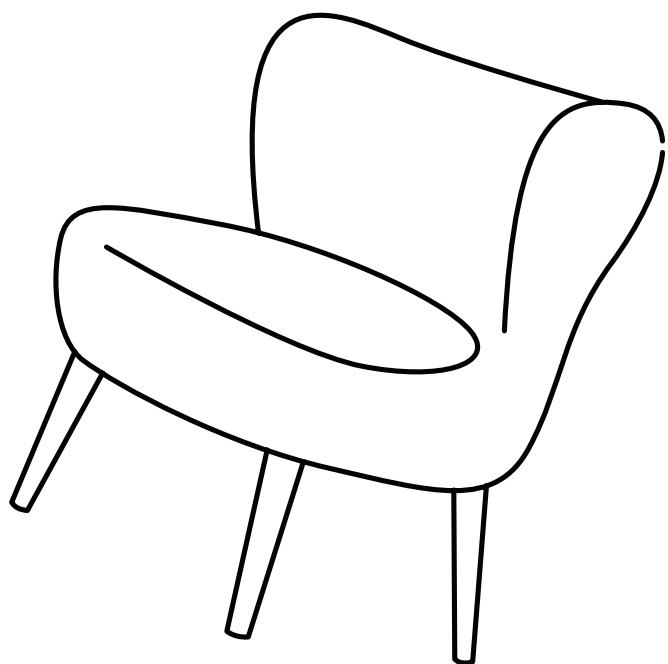
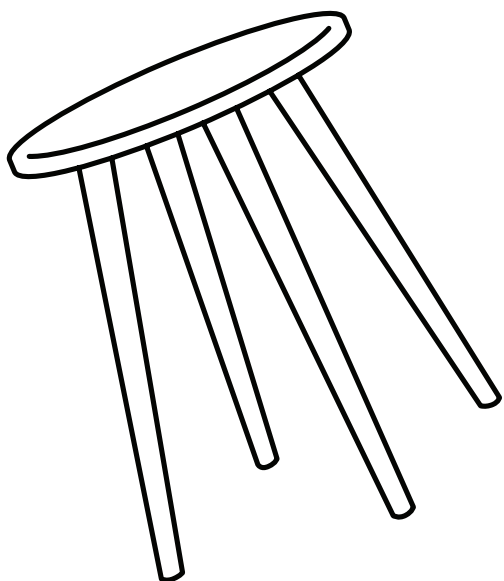


Hello, I've arrived!

Now that I'm here you are only one
flat-pack away from transforming
your home.



Mocka.

Thank you for supporting us.

We believe design belongs to everyone. From materials and processes to safety testing, production and delivery, we are passionate and committed to bringing you the best possible product so you can create beautifully functional spaces to feel comfortably you.

Here are a few assembly tips before you get started:



Make Time

The first step to all seamless assembly is taking a moment to carefully read through the instructions—you are already on your way to creating a beautifully functional space!



Set The Mood

Put on your favourite playlist, order that pizza and pour yourself a drink to get in the mood!



Tool Check

Layout the instructions, screws and panels to check you have everything you need. A blanket or soft floor rug will help protect your new favourite item from scratches and a drill will speed up the assembly too!



Room Reveal

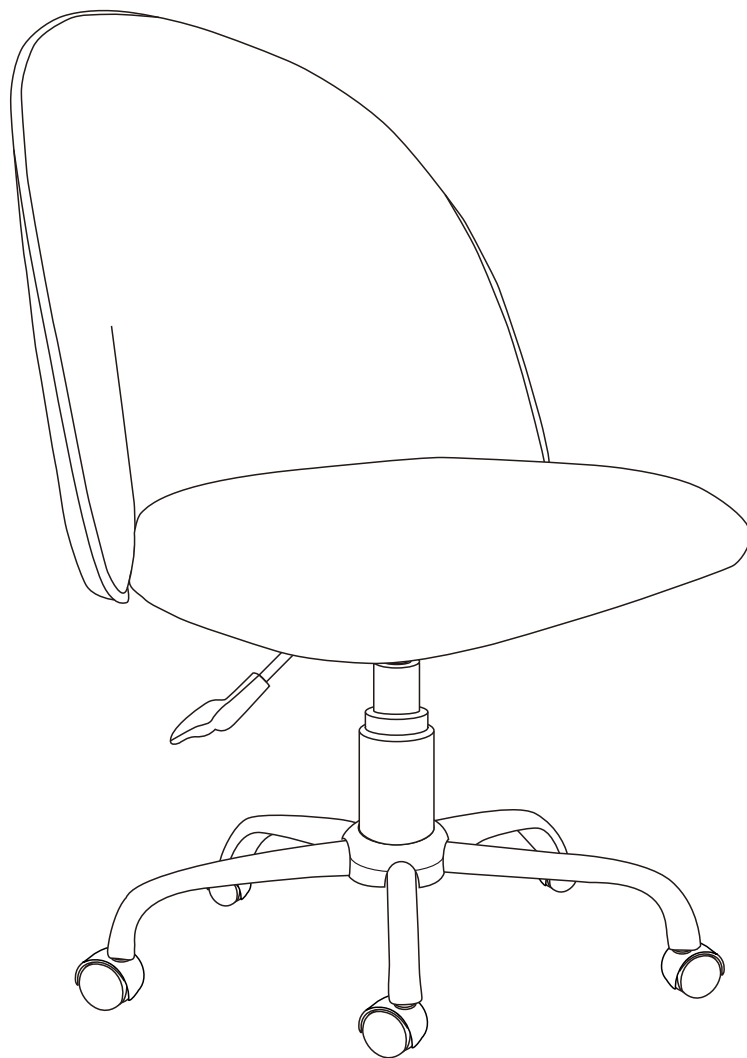
You did it! Take a step back and enjoy the moment. Don't forget to recycle any packaging and share a pic of your room reveal—we love seeing how you transform your home! **Tag us @mockaaustralia/@mockaanz**

Happy flat-packing!

The Mocka Team

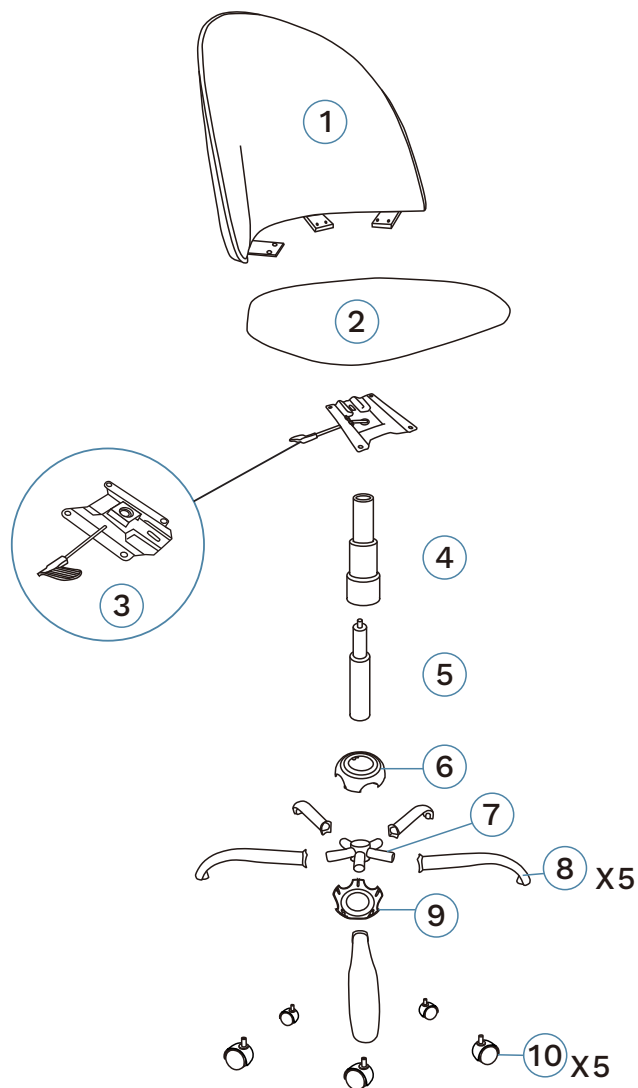
Nolan Student Chair

Thank you for purchasing a Nolan Student Chair. Please follow the manufacturer's assembly instructions in detail to ensure the safety features of the Chair is not compromised.



Nolan Student Chair

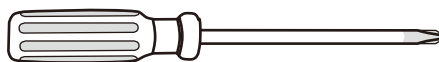
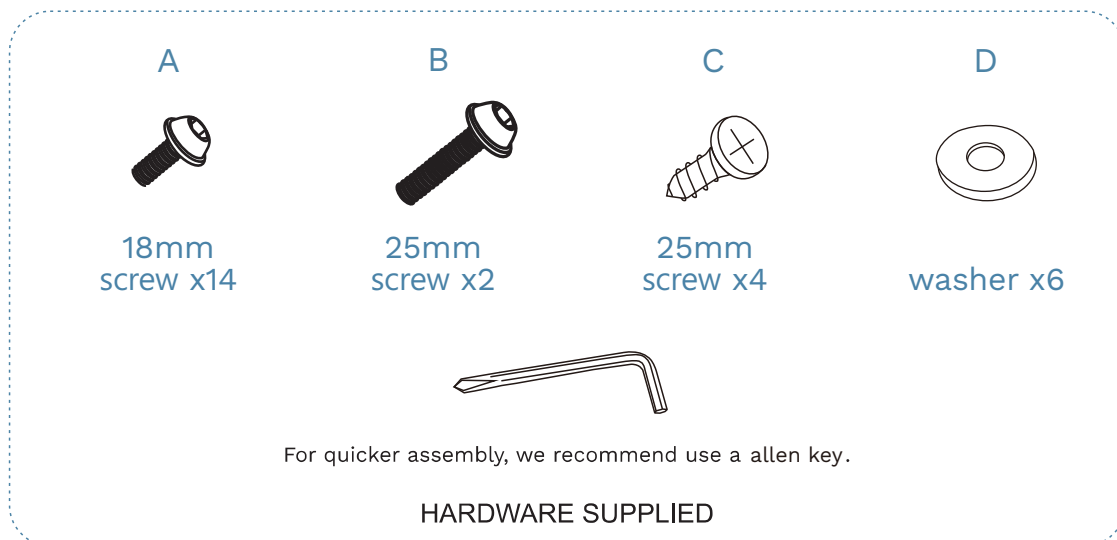
Panel Layout



Partlist

①	back	x1	⑥	upper cover	x1
②	seat	x1	⑦	Base metal frame	x1
③	Mechanism	x1	⑧	Base tube	x5
④	three cups	x1	⑨	bottom cover	x1
⑤	gas lift	x1	⑩	castor	x5

Nolan Student Chair



Phillips screwdrivers required.

MATERIAL: Polyester

HARD TYRED CASTORS ARE UNSUITABLE
FOR USE ON HARD FLOORS OR FIRM CHAIR MATS

CARE INSTRUCTIONS


VACUUM REGULARLY WITH SOFT BRUSH ATTACHMENT
REMOVE ALL LIQUID AND FOOD
SPILLS IMMEDIATELY ONLY WITH A
CLEAN, DAMP, UNDYED WHITE CLOTH
DO NOT USE ABRASSIVES OR COMMON
HOUSEHOLD DETERGENTS

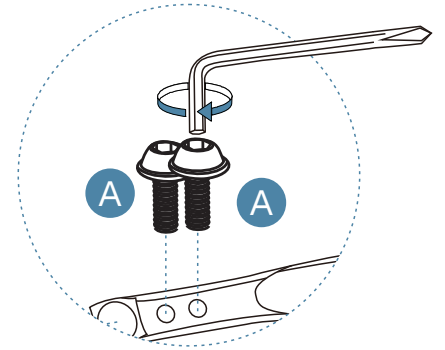
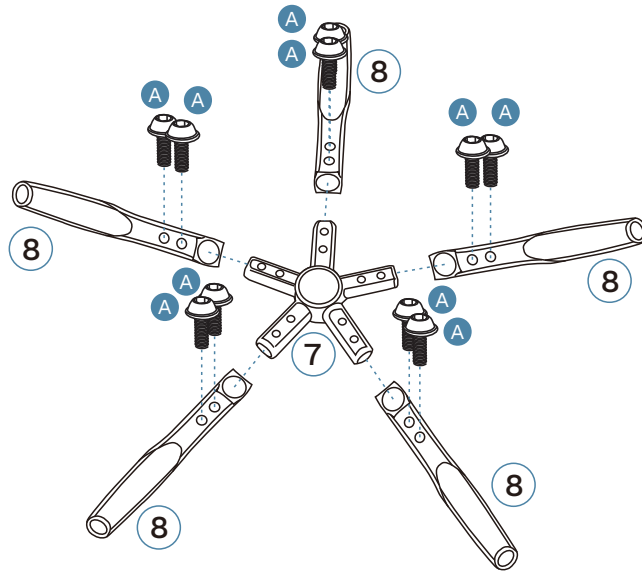
WEIGHT LIMIT - 100 KGS

MADE IN CHINA

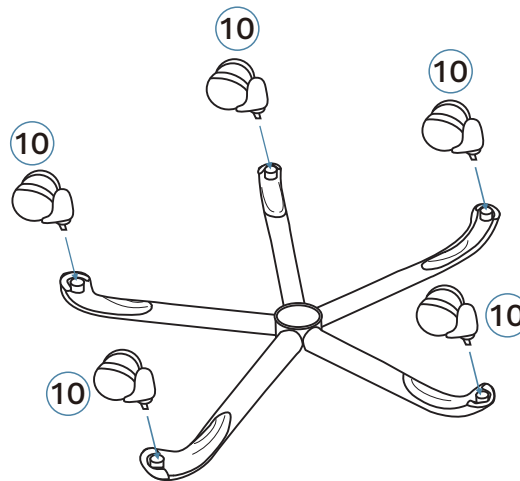
Nolan Student Chair

1

Hardware Needed		
A		x10
	18 mm	



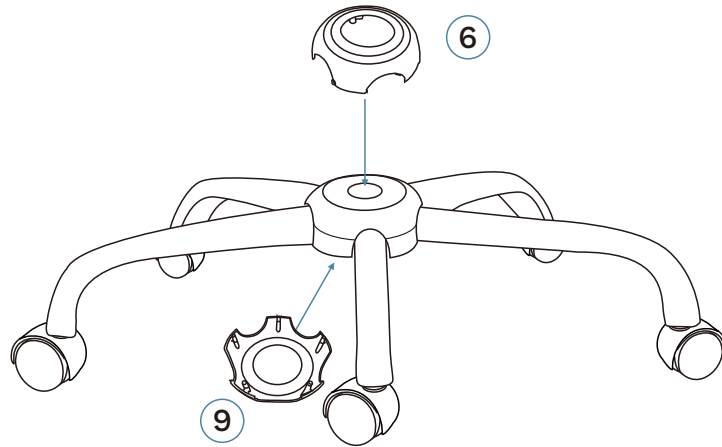
2



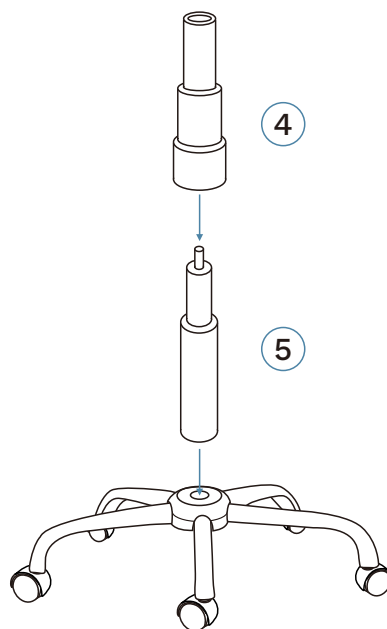
Nolan

Student Chair

3

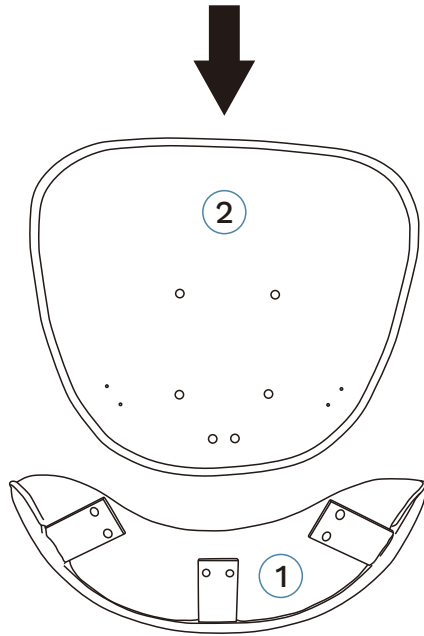


4

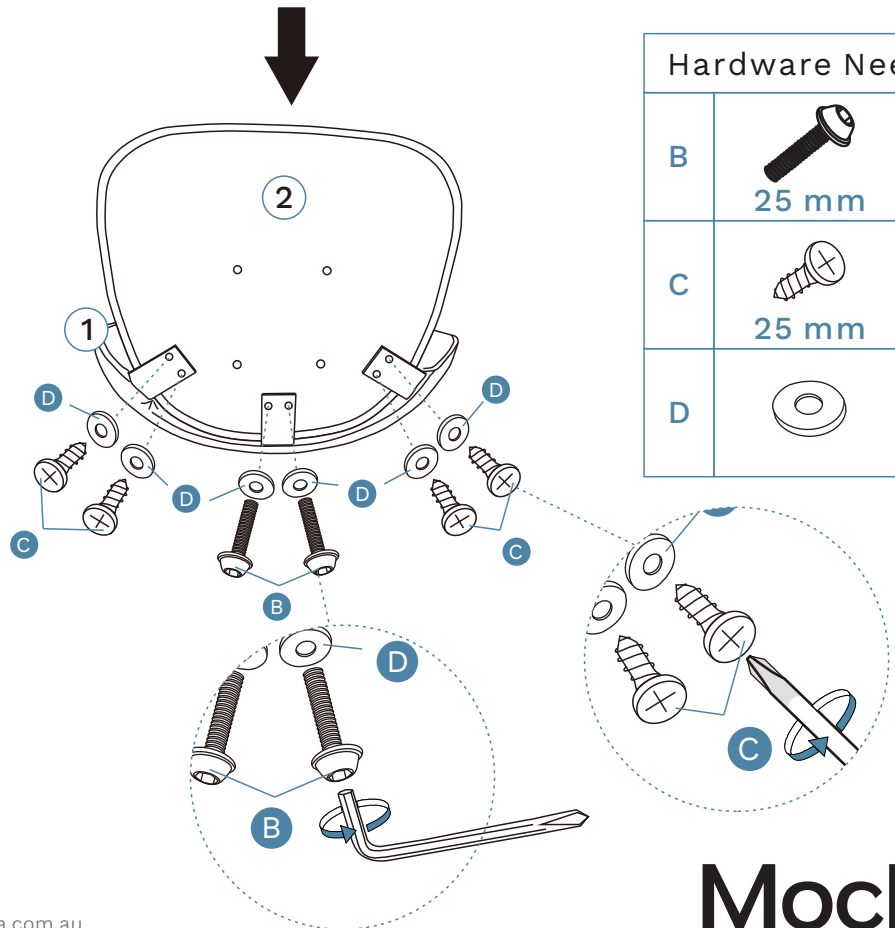





Nolan Student Chair

5



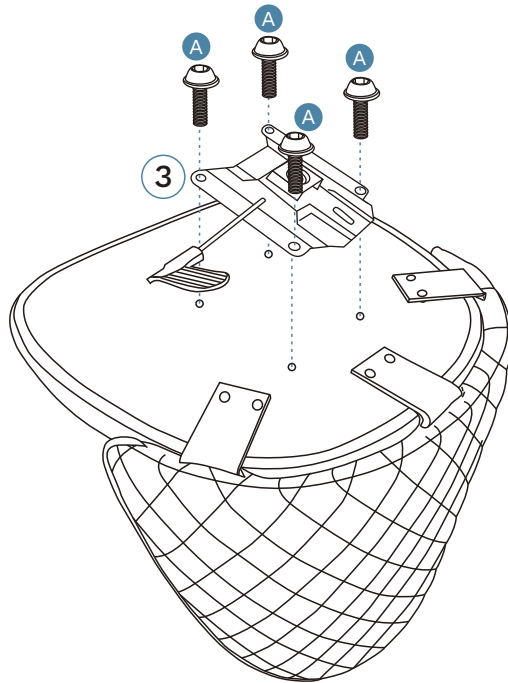
6



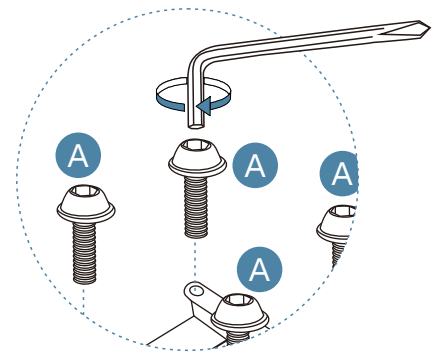
Hardware Needed		
B	 25 mm	x2
C	 25 mm	x4
D		x6

Nolan Student Chair

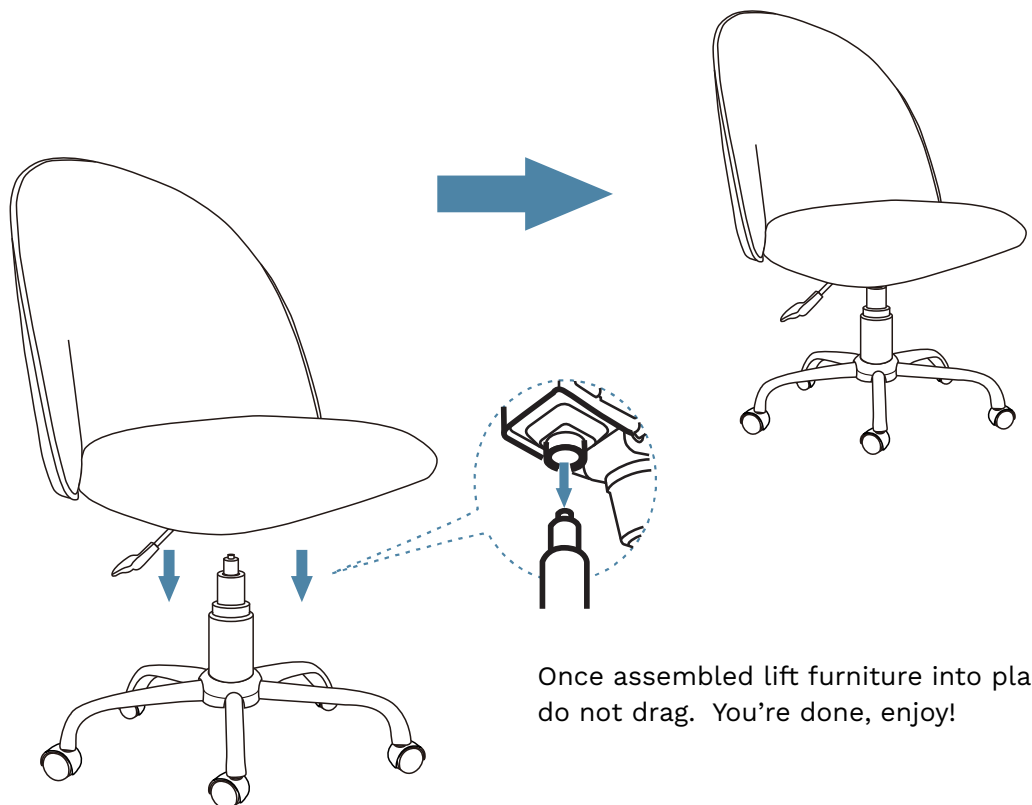
7



Hardware Needed		
A		x4
	18 mm	



8



Once assembled lift furniture into place, do not drag. You're done, enjoy!